

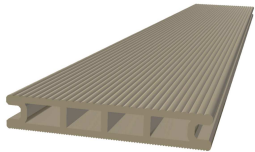
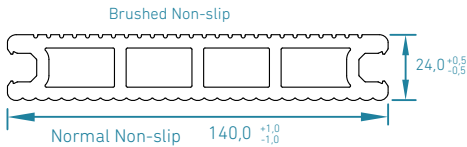
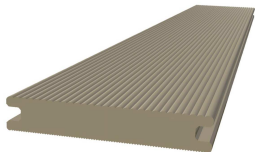
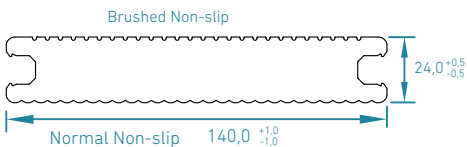
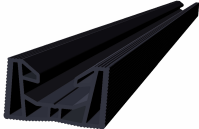
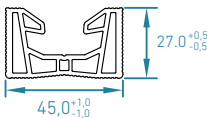
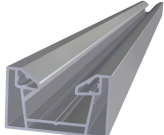

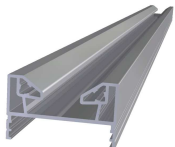
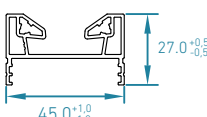
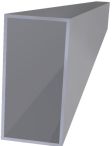
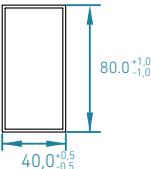


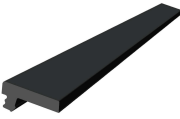
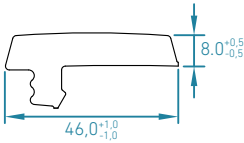

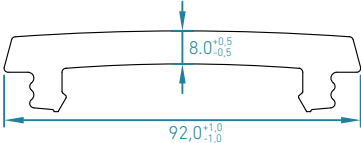
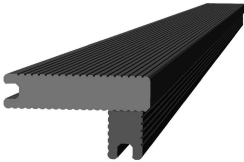
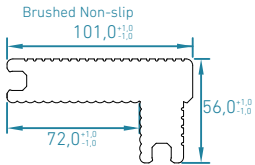
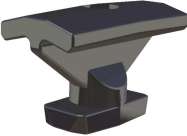
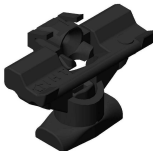
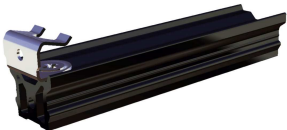
TECHNICAL DATASHEET

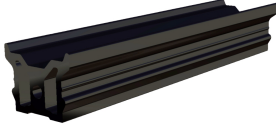
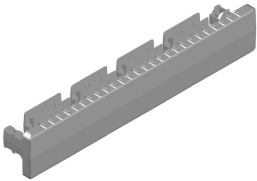






www.cdeck.pt
FTDEC271120190126



| | Designation | Ref. | Colour | Und/Palet |
|-----------------------------------------------------------------------------------------------------------------------------------------------------|--------------------------------------------------------------------------------------------------------------------------------------------------------------------------------------------------------------------|----------------------------------------|--------------------------------------------------------------------------------------------------------------------------------------|------------|
|  <p>Weight mL - 2,43kg (± 0,2) Length tolerance -5/+15mm</p> | Hollow Board 2300x140x24 (Colour)  <p>Reference item example - Hollow Board 2300x140x24 in Beech Beige: DEU01230BF</p> | DEU01230 | BF-Beech Beige BR-Rose Beige CI-Grey RW-Red Wood CH-Chocolate NE-Dark Black | 175 |
|  <p>Weight mL - 4,23kg (± 0,2) Length tolerance -5/+15mm</p> | Solid Board 2300x140x24 (Colour)  <p>Reference item example - Solid Board 2300x140x24 in Beech Beige: DEU03230BF</p> | DEU03230 | BF-Beech Beige BR-Rose Beige CI-Grey RW-Red Wood CH-Chocolate NE-Dark Black | 100 |
|  <p>Weight mL - 0,64kg (± 0,1) Length tolerance -5/+15mm</p> | Quick-fix Joist 2300x45x27  | DEU11230 | PR-Black | 360 |
|  <p>Weight mL - 0,96kg (± 0,2) Length tolerance -5/+15mm</p> | Quick-fix Joist Alu 2300x45x27 Quick-fix Joist Alu 6000x45x27  | DEU13230AL DEU13600AL | | 1 |
|  <p>Weight mL - 0,65kg (± 0,2) Length tolerance -5/+15mm</p> | Quick-fix Joist Alu 6000x45x27 FT40  | DEU16600AL | | 1 |
|  <p>Weight mL - 1,13kg (± 0,2) Length tolerance -5/+15mm</p> | Tube Alu 2300x80x40x1.8 Tube Alu 6000x80x40x1.8  | DEU17230AL DEU17600AL | | 1 |

| Designation | Ref. | Colour | Und/Palet |
|--------------------------------------------------------------------------------------------------------------------------------------------------------------------------------------------|--------------------------------------------------------------------------------------------------------------------------------------------------------------------|---------------------------------------------------------------------------------------------------------------------------------------------------------|-----------|
|  <p>Weight mL - 0,62kg (± 0,1) Length tolerance -5/+15mm</p> |  <p>Reference item example - Fastener 2300x46x8 in Dark Black: DEU21230NE</p> | DEU21230 BF-Beech Beige BR-Rose Beige CI-Grey RW-Red Wood CH-Chocolate NE-Dark Black | 50 |
|  <p>Weight mL - 1,28kg (± 0,2) Length tolerance -5/+15mm</p> |  <p>Reference item example - Fastener 2300x92x8 in Dark Black: DEU23230NE</p> | DEU23230 BF-Beech Beige BR-Rose Beige CI-Grey RW-Red Wood CH-Chocolate NE-Dark Black | 36 |
|  <p>Weight mL - 4,12kg (± 0,2) Length tolerance -5/+15mm</p> |  <p>Reference item example - Step 2300x101x56 in Dark Black: DEU22230NE</p> | DEU22230 BF-Beech Beige BR-Rose Beige CI-Grey RW-Red Wood CH-Chocolate NE-Dark Black | 1 |
|  <p>Reference item example - Quick-fix Intermediate Clip Box 100 Units in Black: DEC70001PRC</p> | <p>Quick-fix Intermediate Clip (colour) Box 100</p> | DEC70001 PRC-Black CZC-Grey CAC-Brown | 100 |
|  <p>Reference item example - Quick-fix Pro Intermediate Clip in Black Box 25 Units: DEC70004PRQ</p> | <p>Quick-fix Pro Intermediate Clip (colour) Box 25</p> | DEC70004 PRC-Black CZC-Grey CAC-Brown | 25 |
|  | <p>Quick-fix Terminal Clip Box 25</p> | DEC70002PRQ | 25 |

| | Designation | Ref. | Colour | Und/Palet |
|-------------------------------------------------------------------------------------|------------------------------------------------------------------------------------|-------------|-----------------------------------------------------------------------------------|-----------|
|  | Fastener Holder Box 25 | DEC70003PRQ | | 25 |
|  | Board End Cap 140x24 (colour) Box 25 | DEC70005 | BFQ-Beech Beige 25 CIQ-Grey RWQ-Red Wood CHQ-Chocolate NEQ-Dark Black | |
| | Reference item exemple - Board End Cap 140x24 in Grey Box 25 Units: DEC70005CIQ | | | |
|  | Inox Screw 6x60 With Plug Ø8 Sachet 50 | DEC80001IXX | | 50 |
| Screw PZ3 with Stainless Steel A2 | | | | |
|  | Self Drilling Screw 3,5x25 Stainless Steel Sachet 100 | DEC80002IXC | | 100 |
| Screw PH2 with Stainless Steel A2 | | | | |
|  | Self Drilling Screw 4,2x60 Stainless Steel Sachet 50 | DEC80003IXX | | 50 |
| Screw PH2 with Stainless Steel A2 | | | | |
|  | Glue UHU Poly Max High Tack Express 900gr | DEC81001BC | | 1 |



| Designation | Ref. | Colour | Und/Palet |
|-------------|------|--------|-----------|
|-------------|------|--------|-----------|

Poly Max Sausage Gun 900gr

DEC81002PL

1



Poly Max V-Nozzle Sachet 6

DEC81003PL

6



Plot CDECK 28-36 mm

DEC6000TA0

1



Plot CDECK 36-51 mm

DEC6000TA1

1



Plot CDECK 52-82 mm

DEC6000TA2

1



Plot CDECK 82-135 mm

DEC6000TA3

1

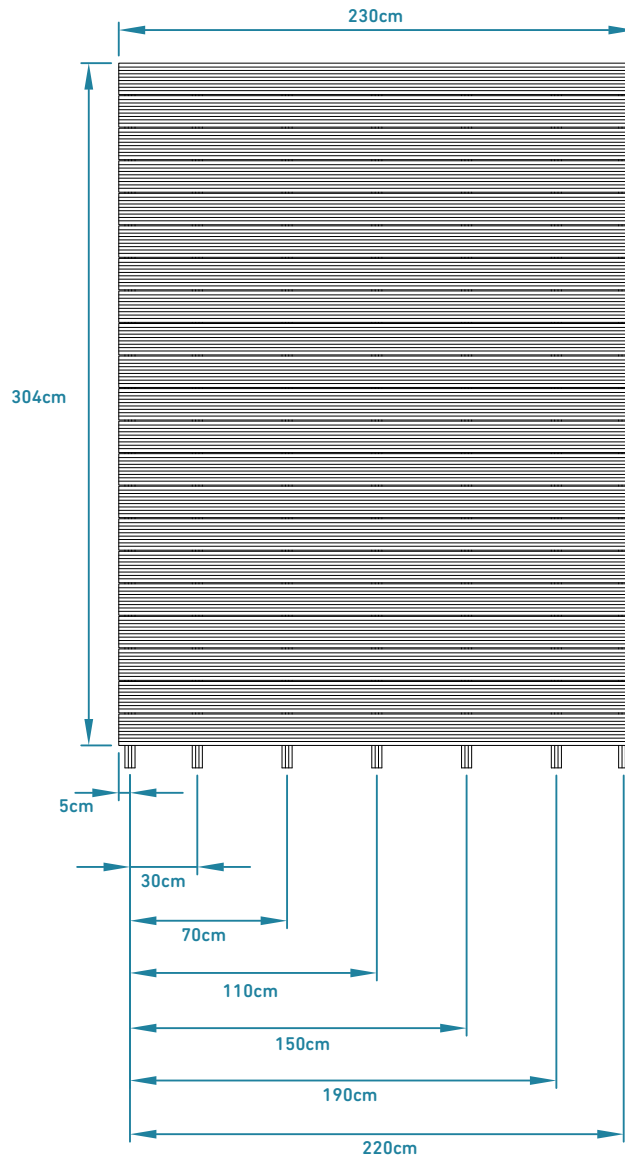


| | Designation | Ref. | Colour | Und/Palet |
|-------------------------------------------------------------------------------------|------------------------------------------|-------------|--------|-----------|
|  | Plot CDECK 133-225 mm | DEC6000TA4 | | 1 |
|  | Carcass CDECK 40-50 mm | DEC6000TAX | | 1 |
|  | Coupler CDECK 180 mm | DEC6000TCL | | 1 |
|  | Slope Corrector CDECK 2 PRC | DEC600TSC2 | | 1 |
|  | CTOOL to Install CDECK/CWALL | DEC90001AZ | | 1 |
|  | 1/4 Bit with 4mm Slit for CTOOL Sachet 5 | DEC90002ACF | | 5 |

**ESTIMATED AMOUNT BY SQ.M.
FOR RESIDENTIAL USE**

| CODE | PRODUCT | QUANTITY (2,3m x 3,04m) | QUANTITY /m ² |
|-------------|-----------------------------|-------------------------|-----------------------------------------------------|
| DEU0X230xx | Board 2300x140x24 | 21 x 2,3 = 48,3m | ≈ 3 Und/m ² |
| DEU1X230xx | QUICK-FIX JOIST 2300x45x27 | 7 x 3 = 21m | ≈ 1,31 Und/m ² |
| DEC70001xxx | QUICK-FIX INTERMEDIATE CLIP | 140 Und - 1,40 Boxes | ≈ 20 Und/m ² - 0,20 Boxes/m ² |
| DEC70002PRQ | QUICK-FIX TERMINAL CLIP | 14 Und - 0,56 Boxes | ≈ 2 Und/m ² - 0,08 Boxes/m ² |

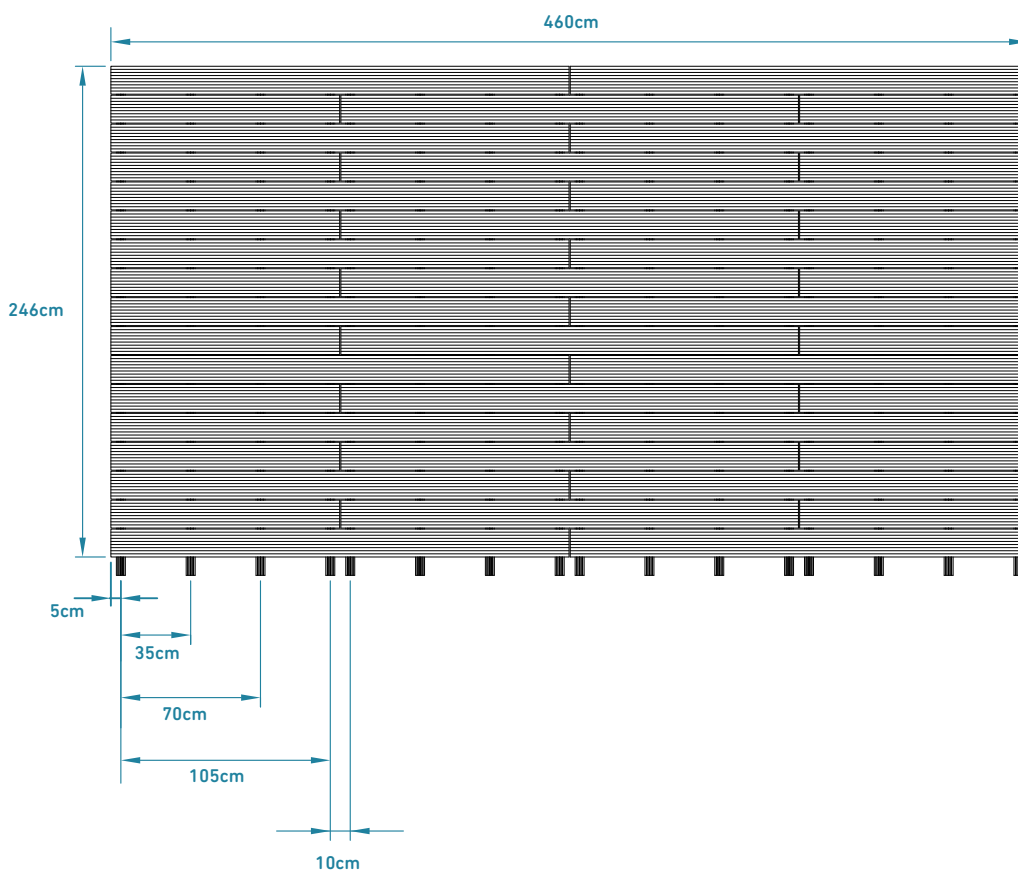
(The amounts given are merely examples, given that actual need will depend on the typology of the area and the way the decking is applied.)



**ESTIMATED AMOUNT BY SQ.M.
FOR COMMERCIAL USE**

| CODE | PRODUCT | QUANTITY (2,3mx2,46m) | QUANTITY /m ² |
|-------------|-----------------------------|-----------------------|-----------------------------------------------------|
| DEU0X230xx | BOARD 2300x140x24 | 34x2,3=78,2m | ≈ 3 Und/m ² |
| DEU1X230xx | QUICK-FIX JOIST 2300x45x27 | 16x2,46=39,36m | ≈ 1,52 Und/m ² |
| DEC70001xxx | QUICK-FIX INTERMEDIATE CLIP | 256 Und - 2,56 Boxes | ≈ 23 Und/m ² - 0,23 Boxes/m ² |
| DEC70002PRQ | QUICK-FIX TERMINAL CLIP | 32 Und - 1,28 Boxes | ≈ 3 Und/m ² - 0,12 Boxes/m ² |

(The amounts given are merely examples, given that actual need will depend on the typology of the area and the way the decking is applied.)





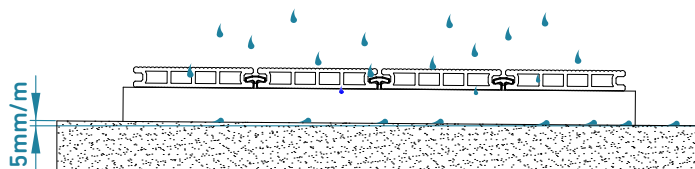
GENERAL RULES

- Items from the CDECK range should be stored on a flat surface, and the items should be protected from direct exposure to sunlight, rain, snow, and other adverse climatic conditions.
- The WPC profiles (e.g.: Boards) should remain on site for at least 48 hours before being fitted, so that the material can adapt to the climatic conditions.
- Due to the fact that the base material (WPC) includes wood, there may be small differences of colour between profiles. It is therefore advisable to have a varied distribution of profiles, to cater for these natural discrepancies.
- Before starting the installation you should always check that you have the latest version of the installation manual.
- In large areas, the installation of the CDECK should be carried out in different phases, consisting of no more than 100 sq.m per phase.
- CDECK flooring should not be installed in extreme weather conditions, such as temperature below 5 °C, relative humidity above 90%, snow, etc.
- The CDECK profiles are not structural profiles, and should not be installed as suspended constructions.
- The CDECK range is a floating deck range, so its boards should never be screwed to the base or fastened to any items other than those listed in this manual.
- The installation of CDECK profiles should be carried out in such a way as to ensure no water is accumulated in any parts, particularly inside the boards.
- It is essential to ensure the aeration of the Decking and so the space between the boards and the space between the boards and the ground should never be obstructed.
- The CDECK range is intended for use in areas of movement involving pedestrian use only.
- If you have any different needs that are not covered by this manual, you should contact IHT to obtain additional instructions.



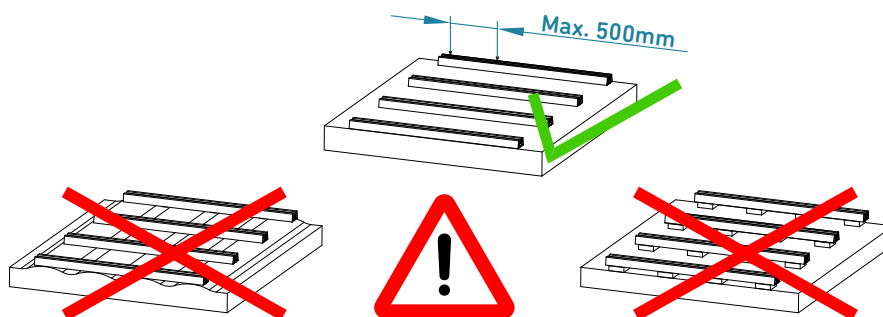
1.1

The installation surface should be completely flat and stable (e.g. 10 - 15 cm of solid concrete), and should slope for water drainage by at least 5 mm per metre in the direction of the Joists and in the direction of the Boards



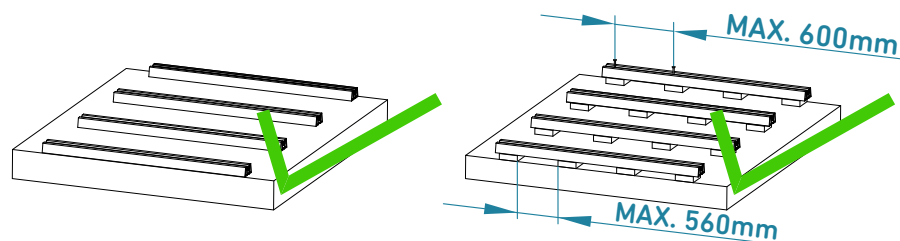
1.2.1

DEU11230PR



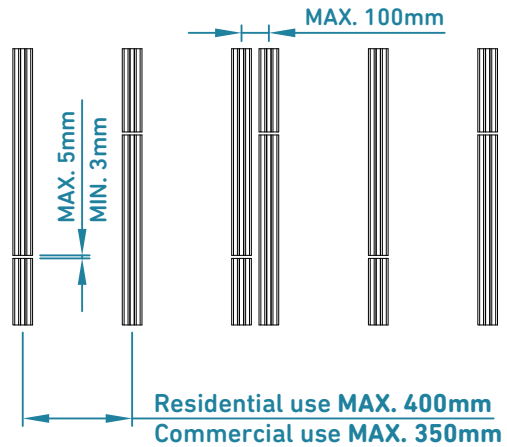
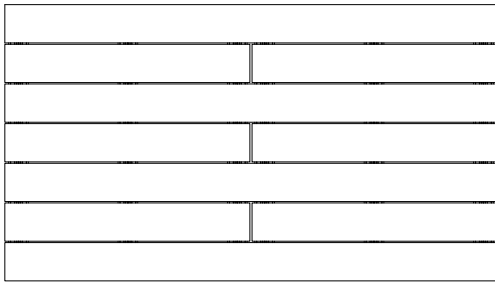
1.2.2

DEU13230AL

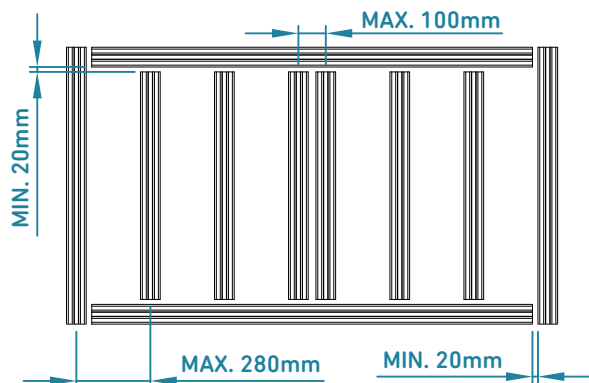
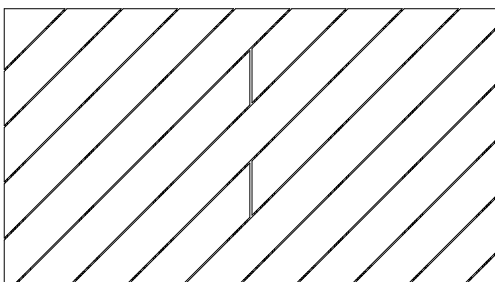


FASTENING THE QUICK-FIX JOISTS

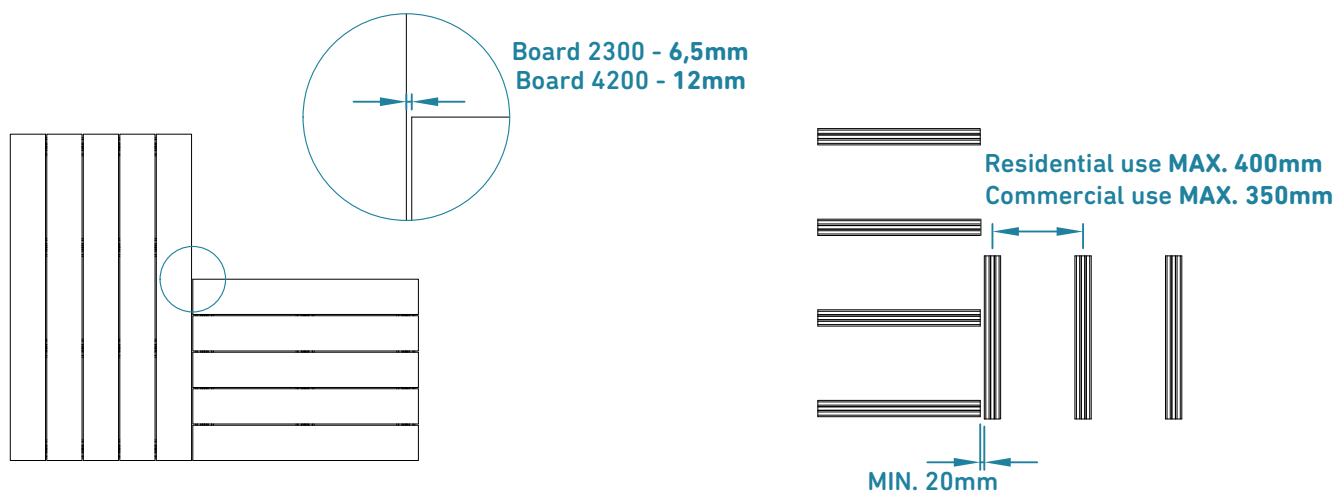
2.1 LAGGED ASSEMBLY (ENGLISH ASSEMBLY)



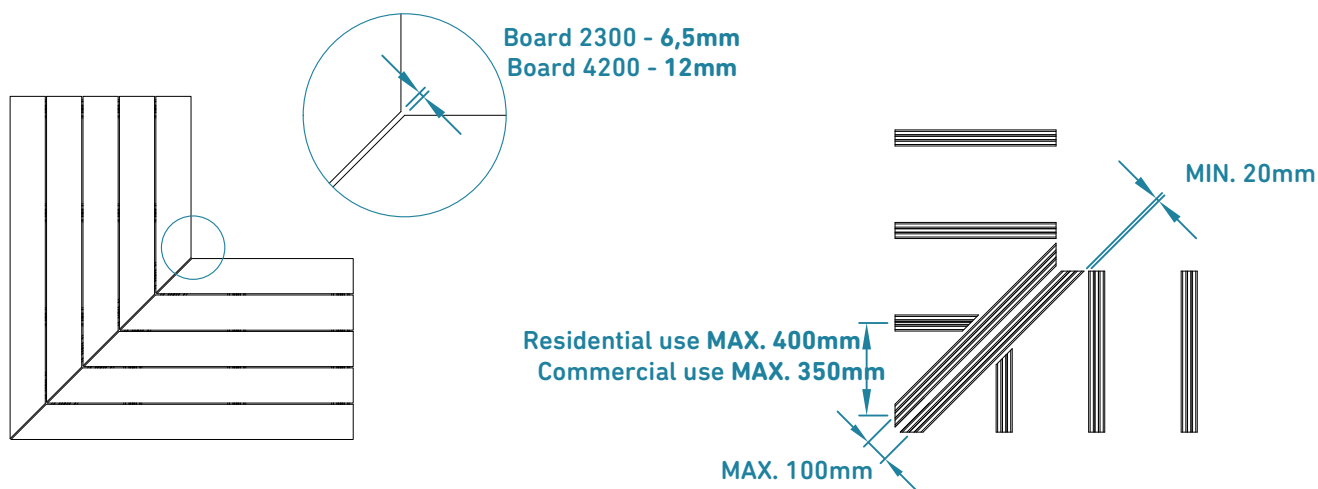
2.2 LAGGED ASSEMBLY (ENGLISH ASSEMBLY) AT 45°



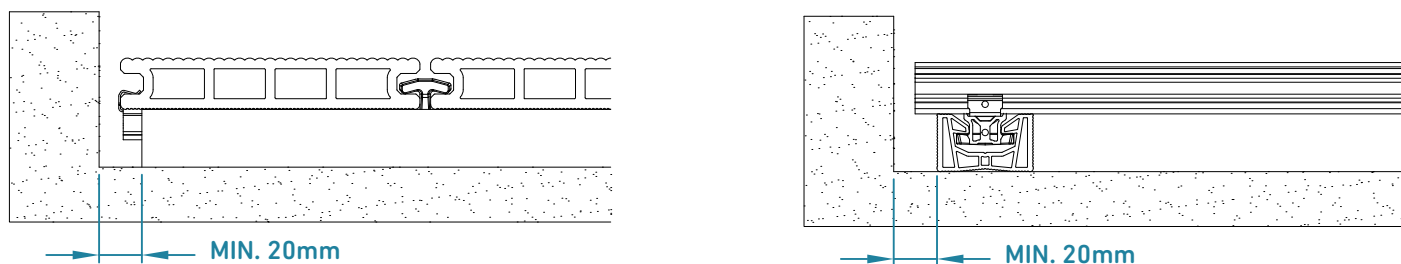
2.3 PERPENDICULAR FINISHING



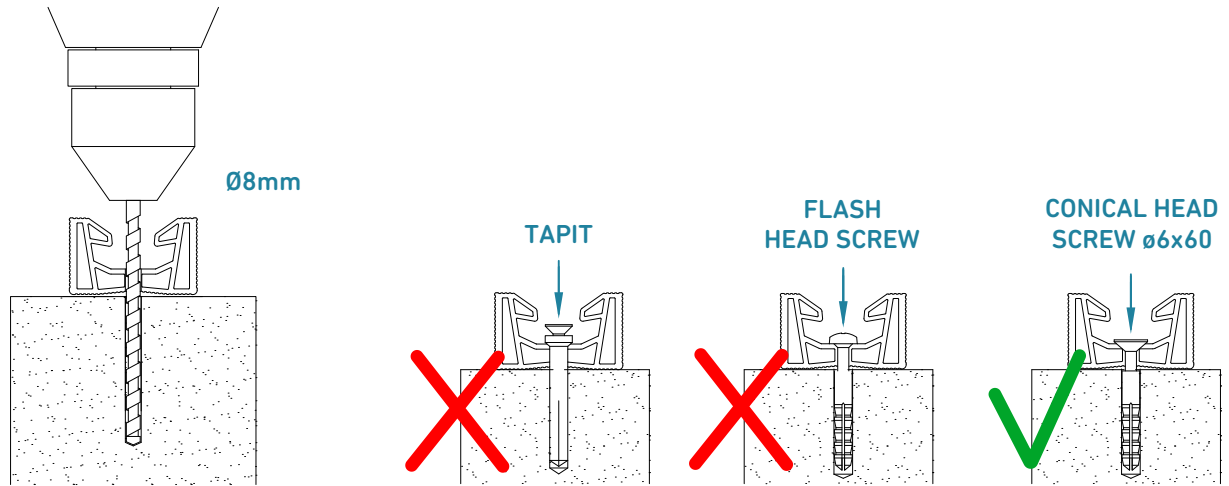
2.4 SQUARE FINISHING



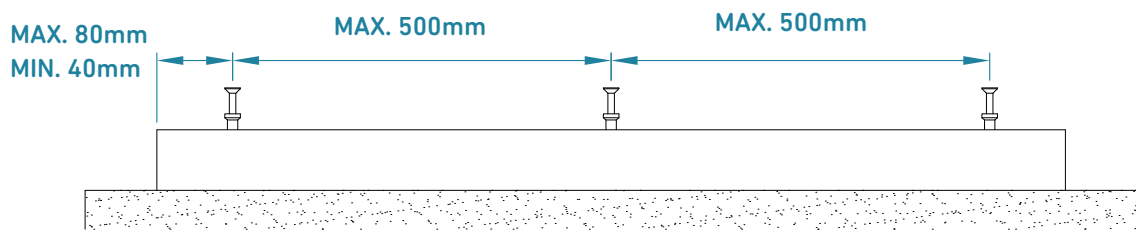
2.5



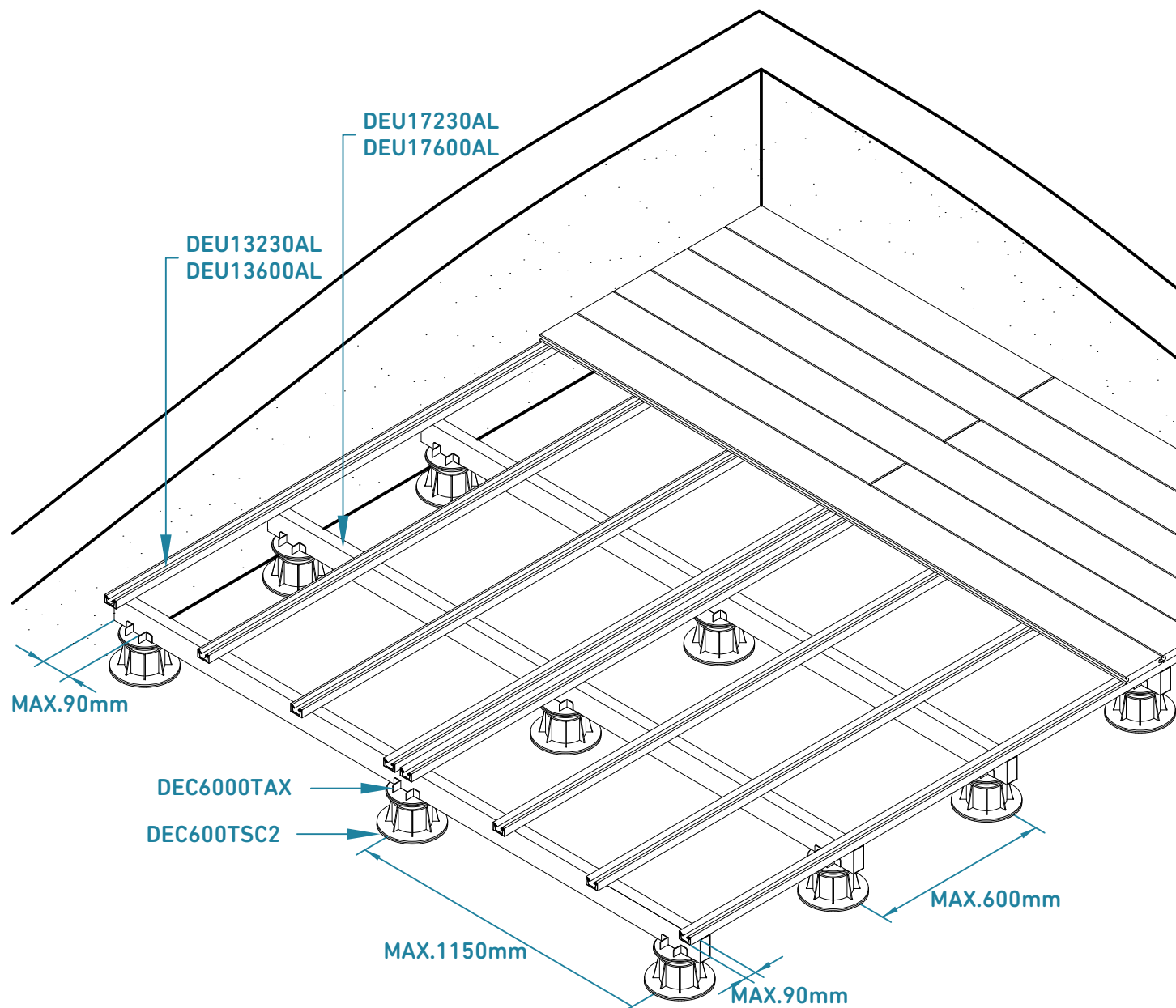
2.6



2.7



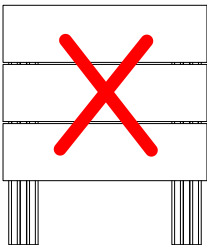
2.7 SUSPENDED INSTALLATION



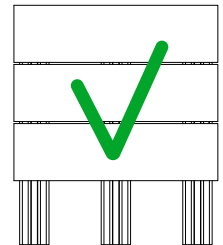
To ensure the stability of the system, it is mandatory to fix the aluminum structure to at least one external fixed element.



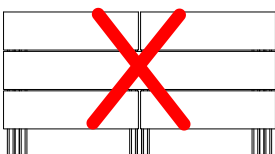
3.1



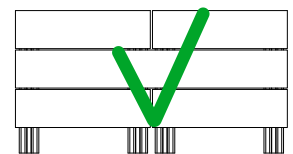
Irrespective of the distance between the Joists, under no circumstances can the Boards be supported by less than 3 Joists.



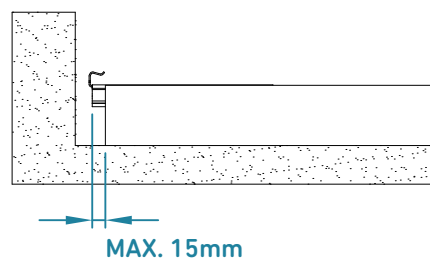
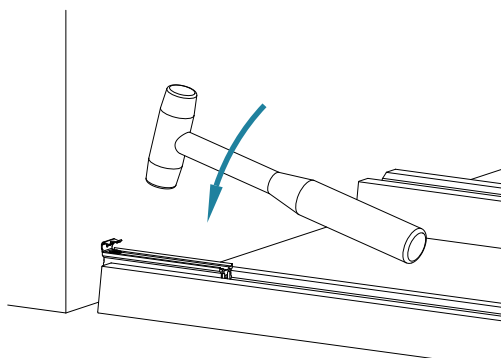
3.2



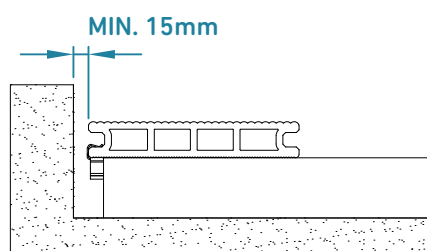
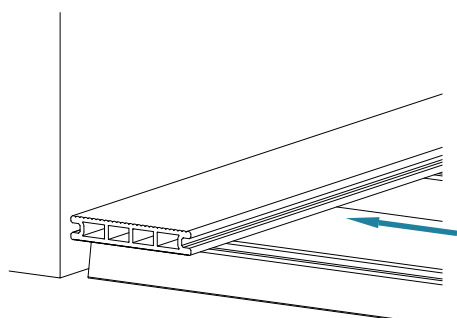
For assembly involving boards arranged top to top, 2 Joists should always be used (1 for each board) with the respective Clips.



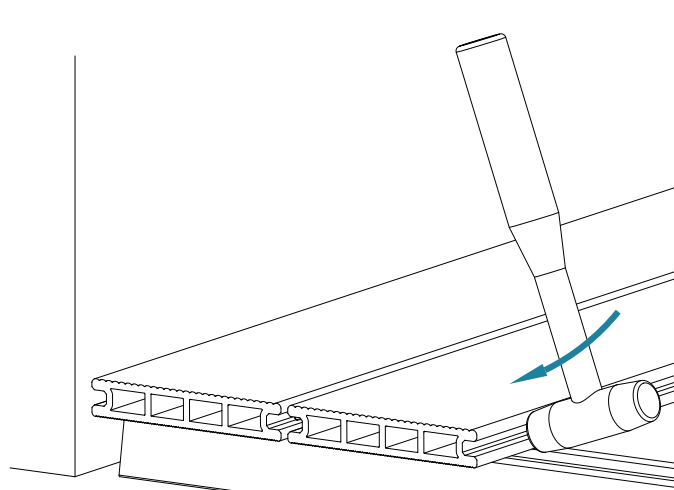
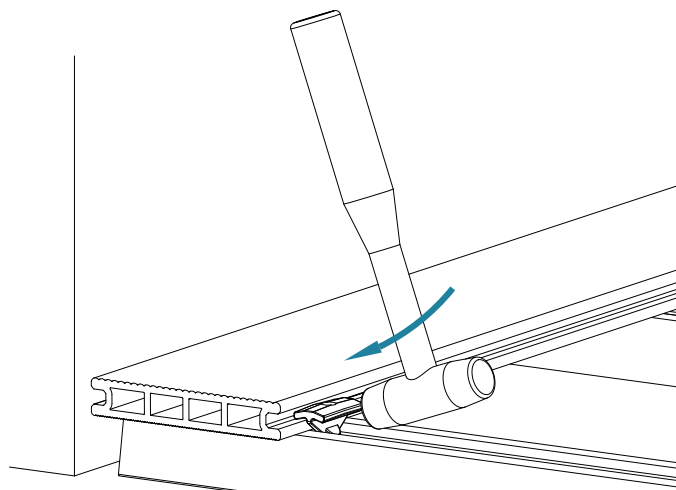
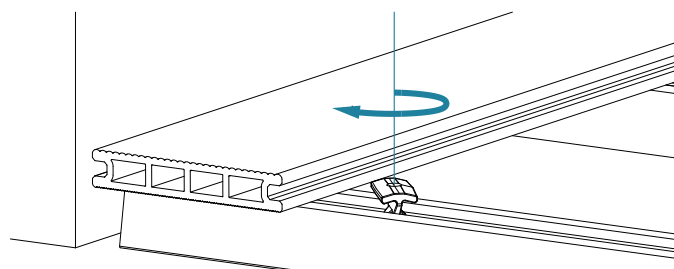
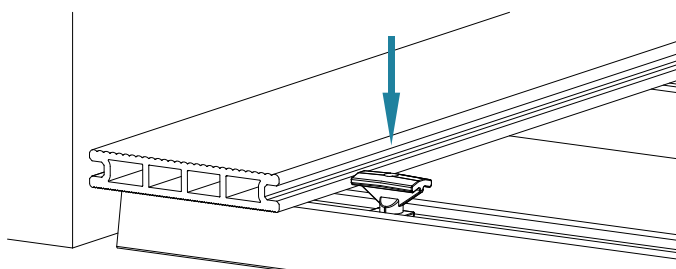
3.3



3.4

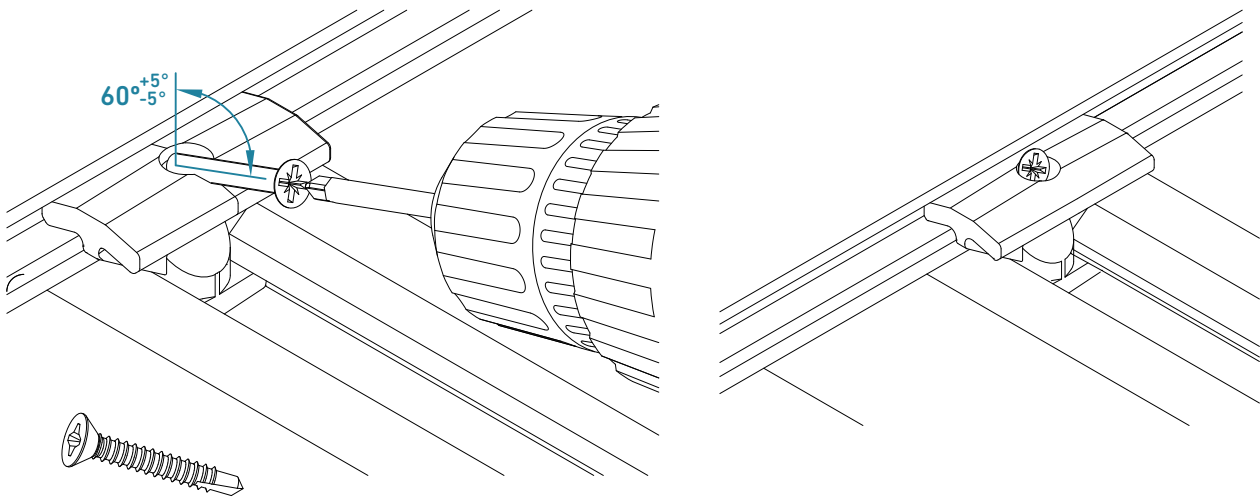
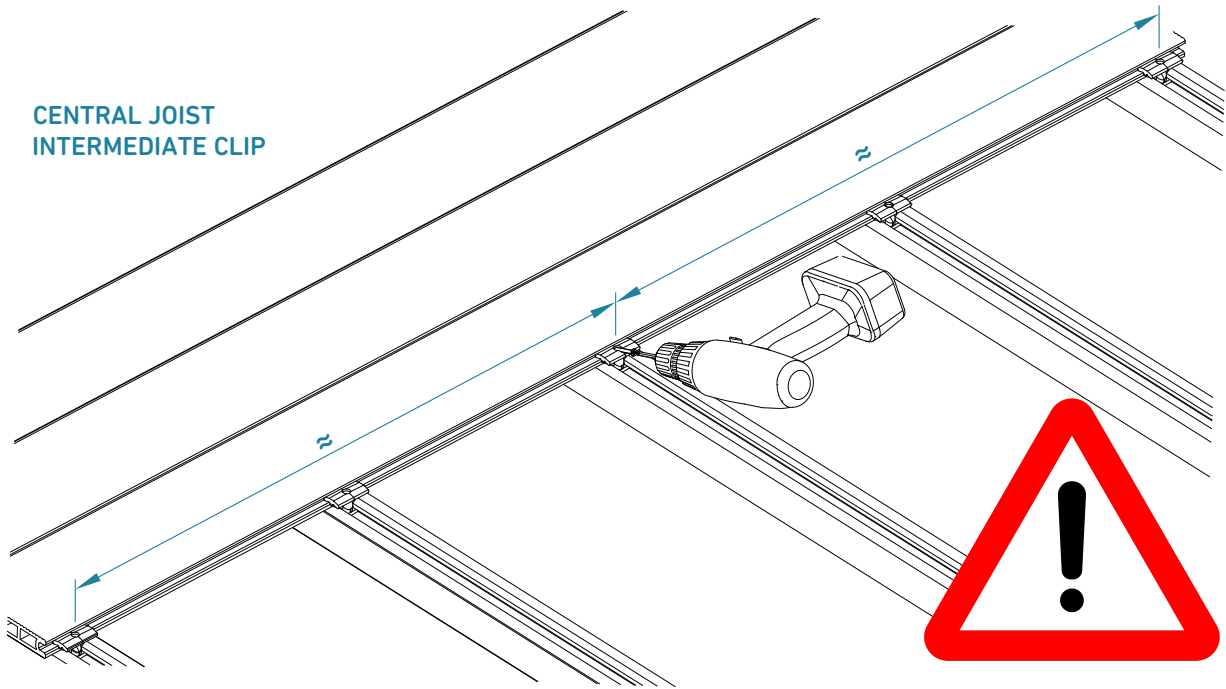


3.5

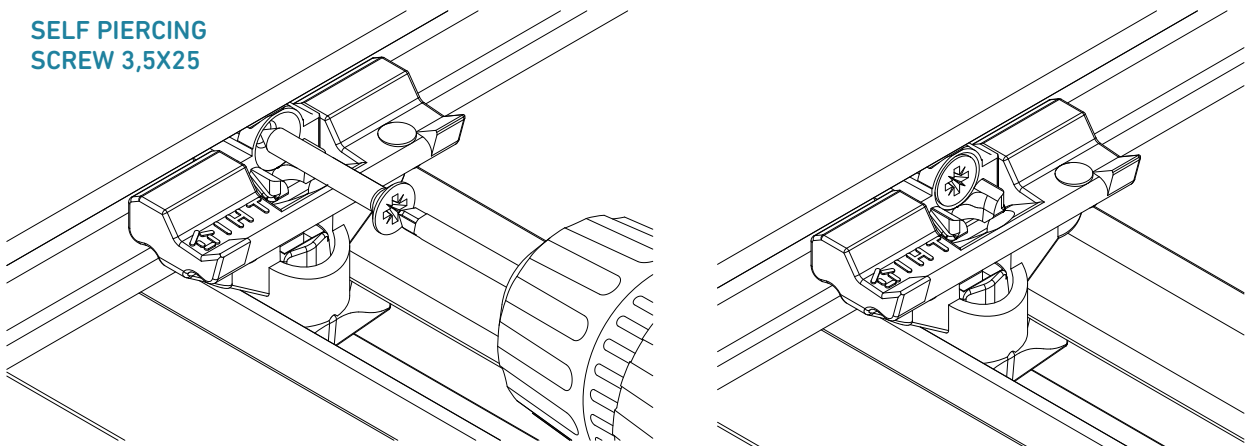


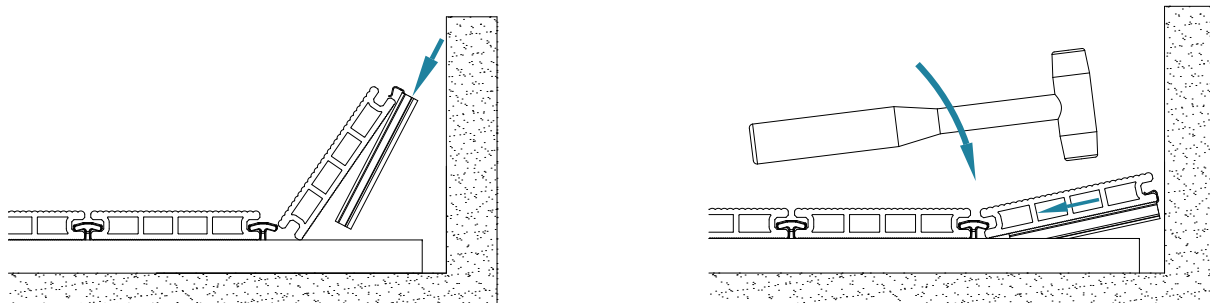
3.6 FASTENING THE BOARD IN THE CENTRAL JOIST (TO AVOID SLIPPAGE)

CENTRAL JOIST
INTERMEDIATE CLIP

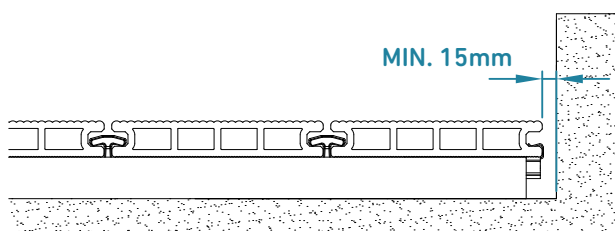


SELF PIERCING
SCREW 3,5X25

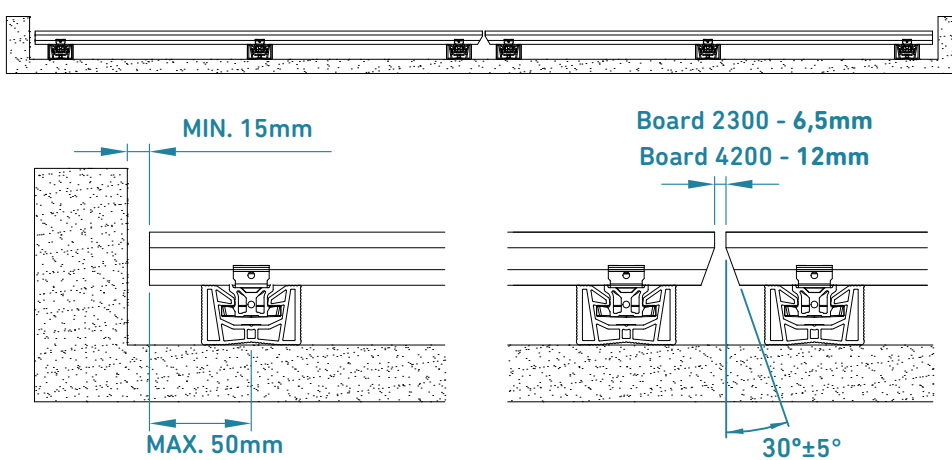




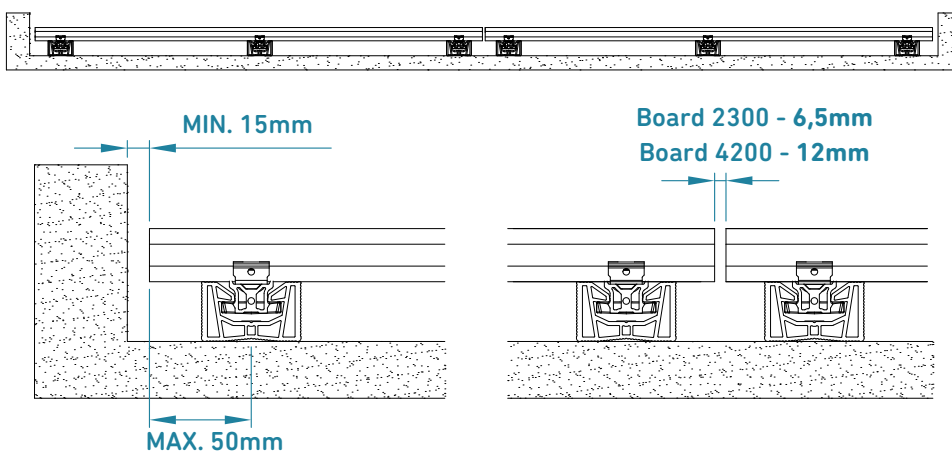
3.8



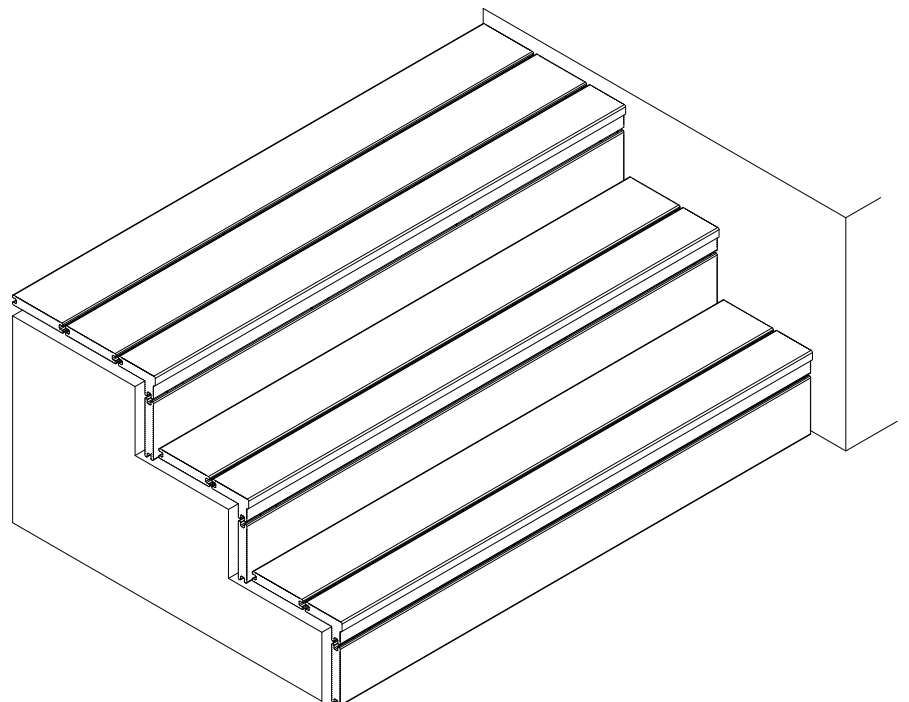
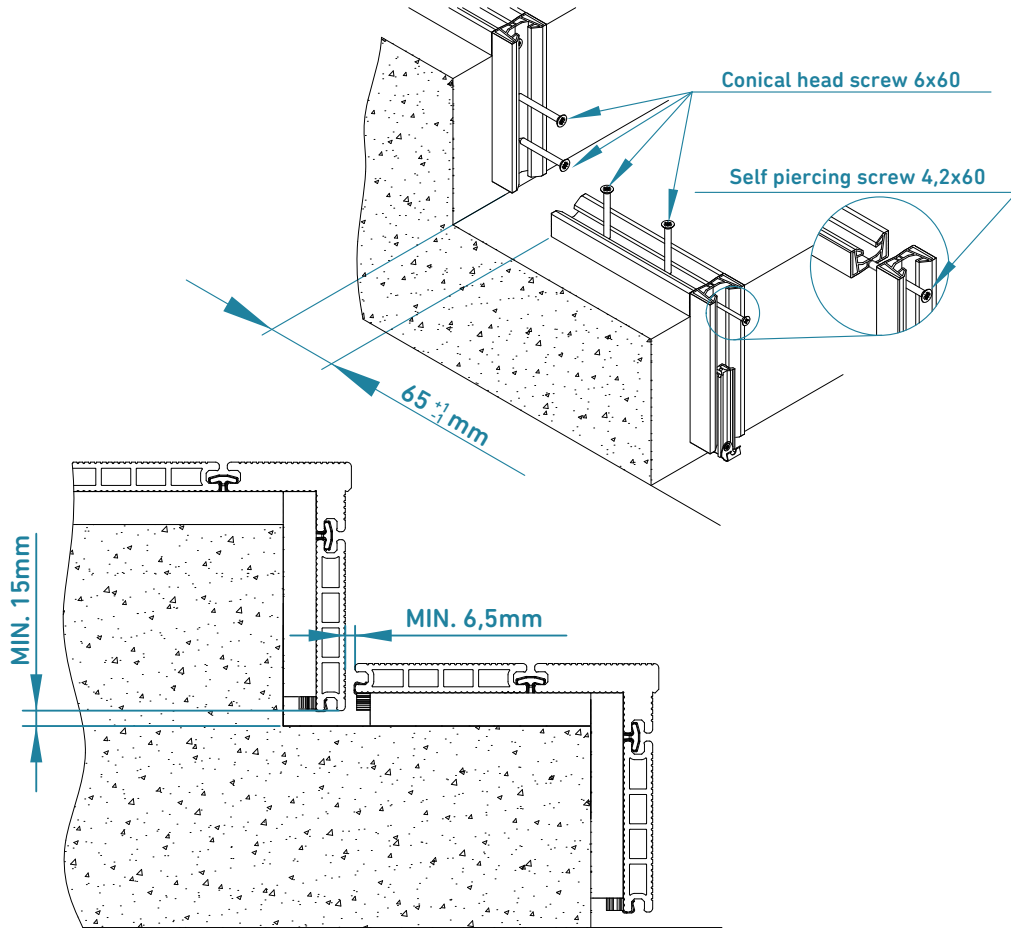
3.9.1 HOLLOW BOARD



3.9.2 SOLID BOARD

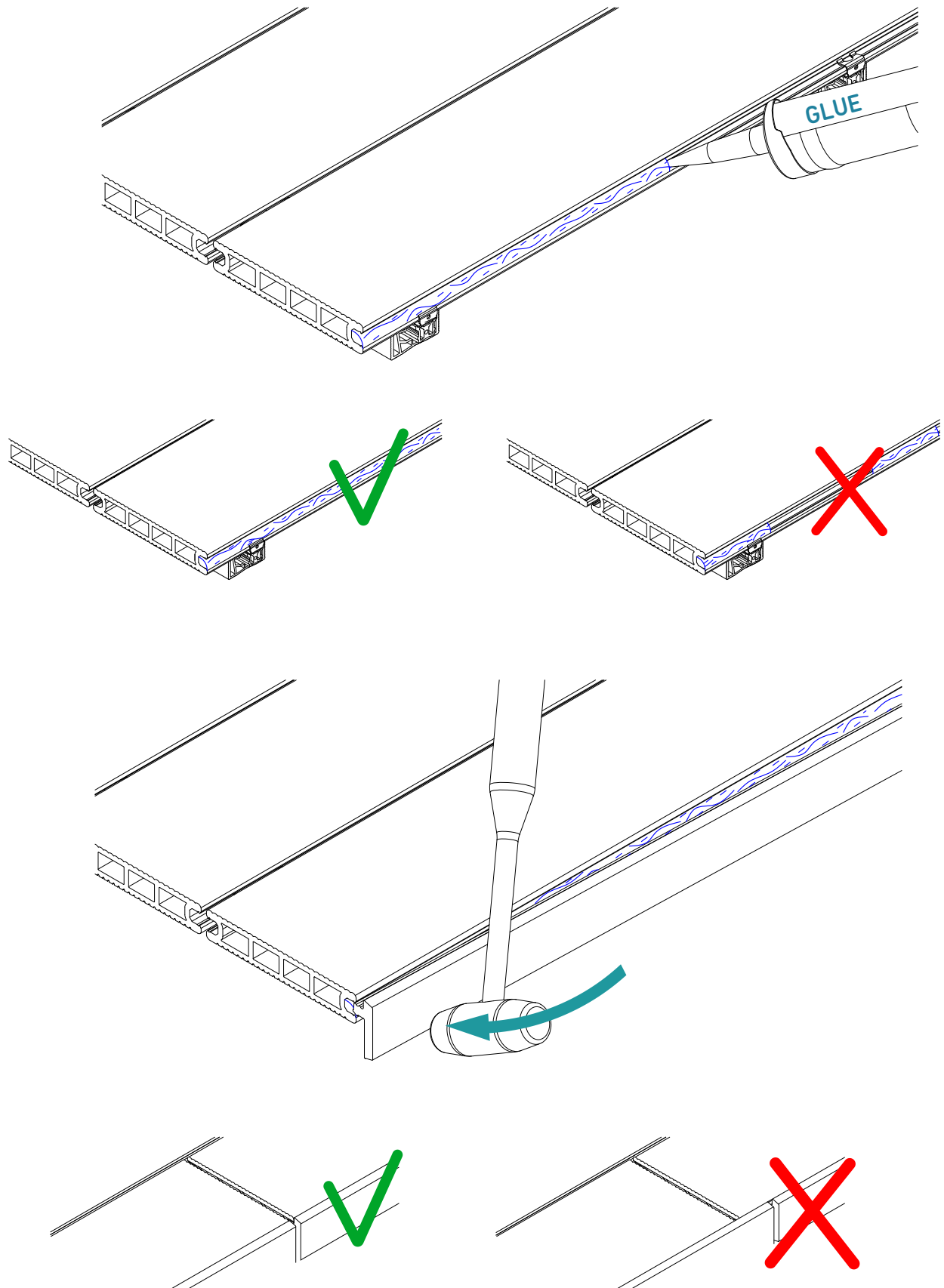


4. CDECK STEP ASSEMBLY

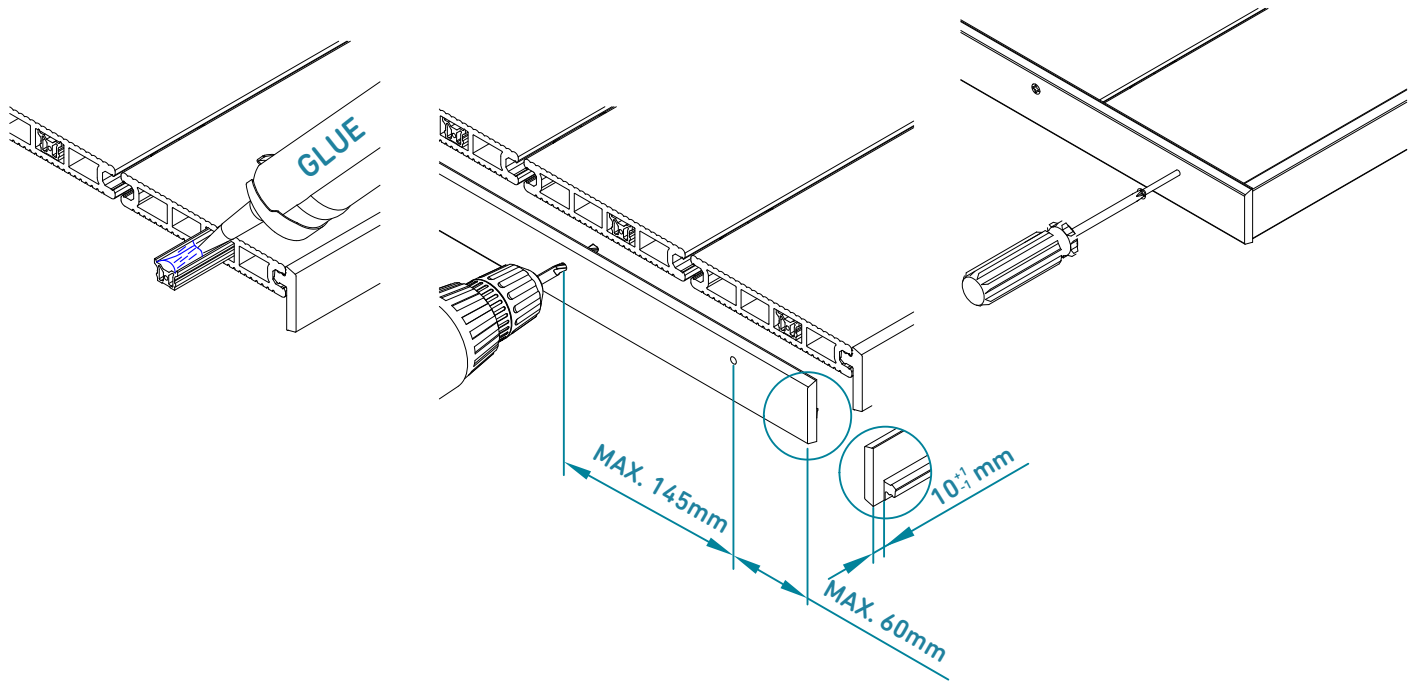


5. FASTENING THE CDECK FASTENER

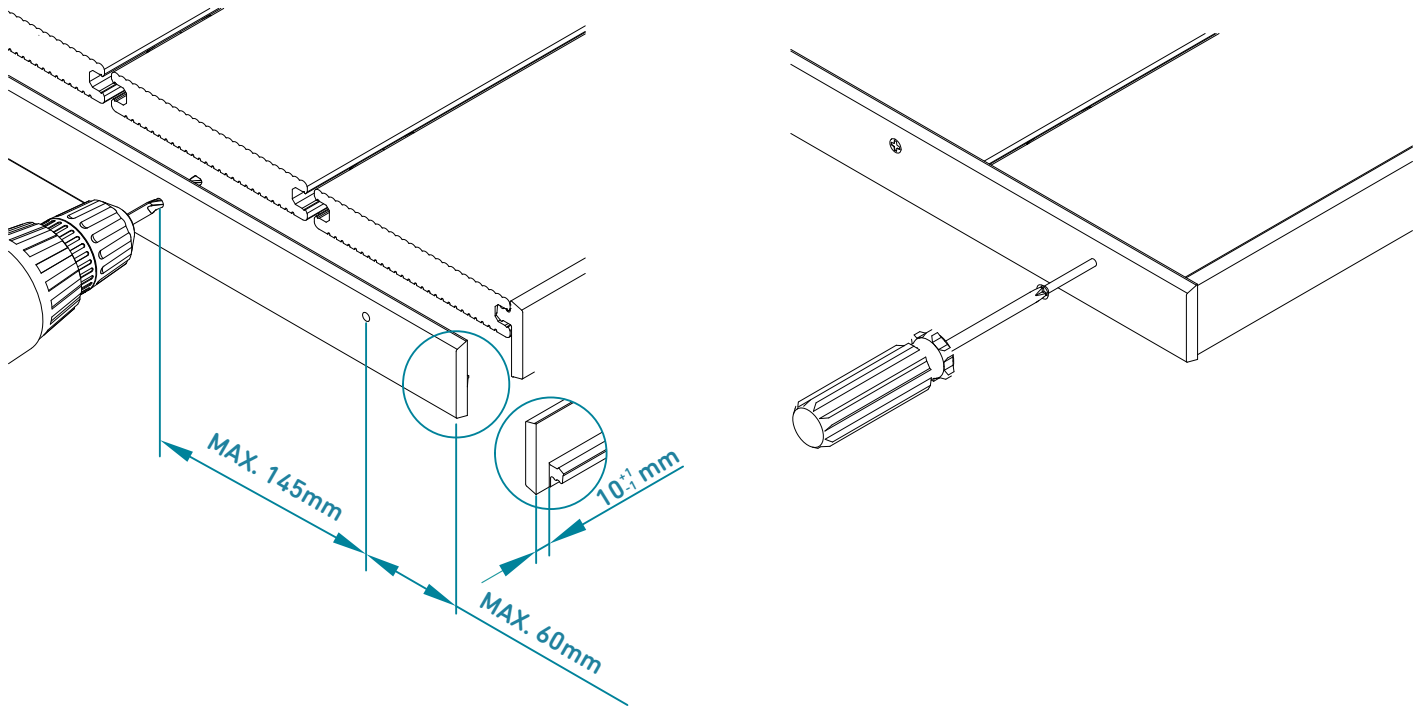
5.1



5.2.1 HOLLOW BOARD

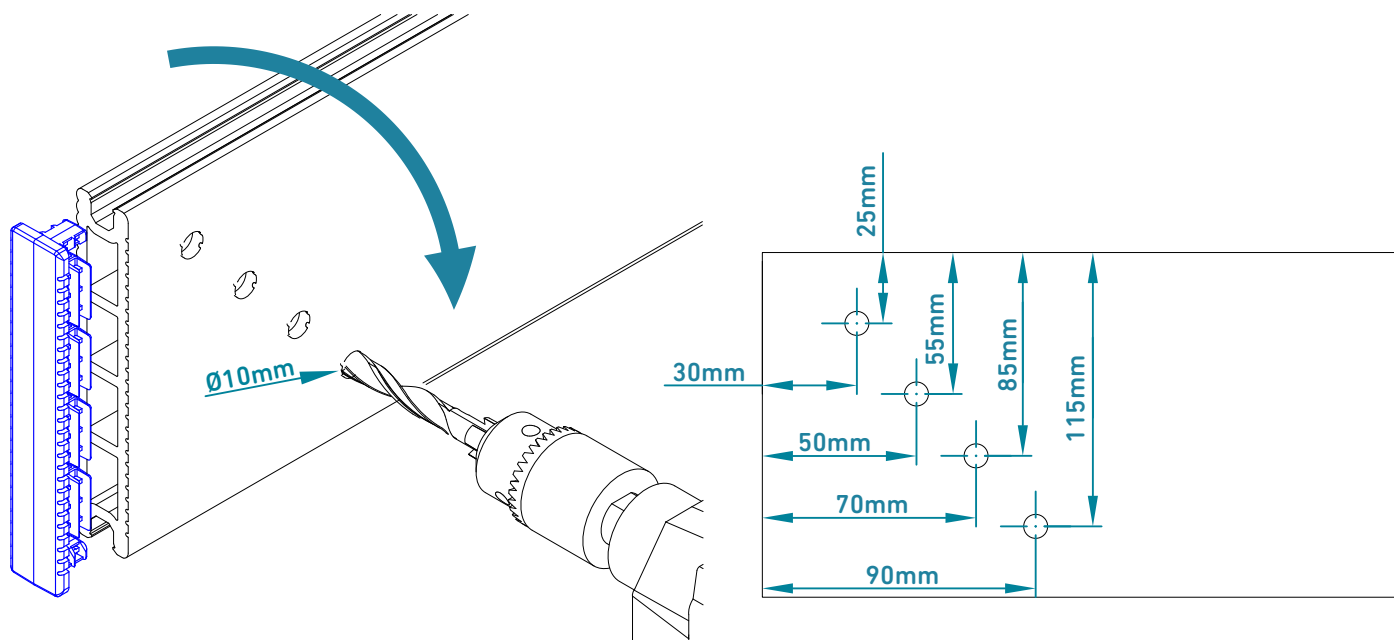


5.2.2 SOLID BOARD

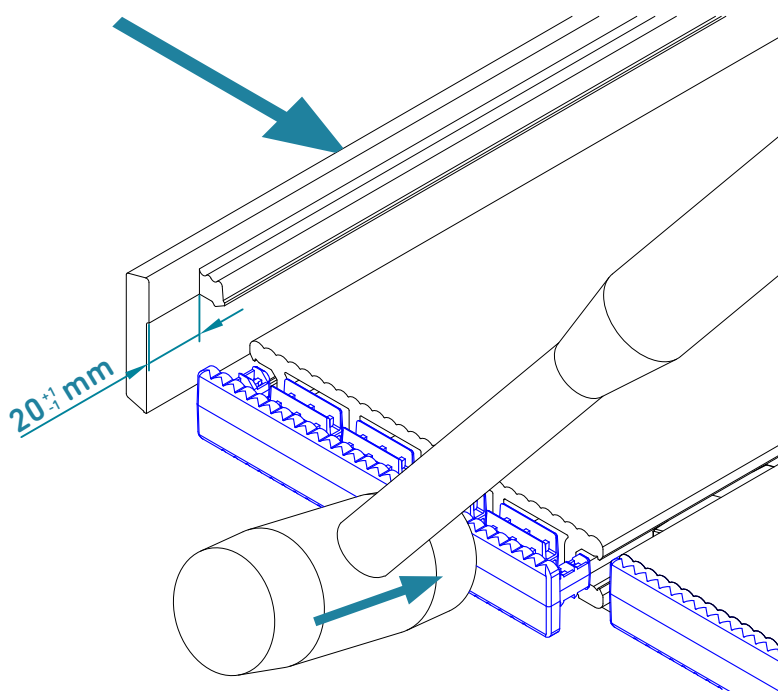


6. BOARD END CAP ASSEMBLY

6.1 OPENING OF HOLES IN THE LOWER PART FOR DRAINAGE/VENTILATION

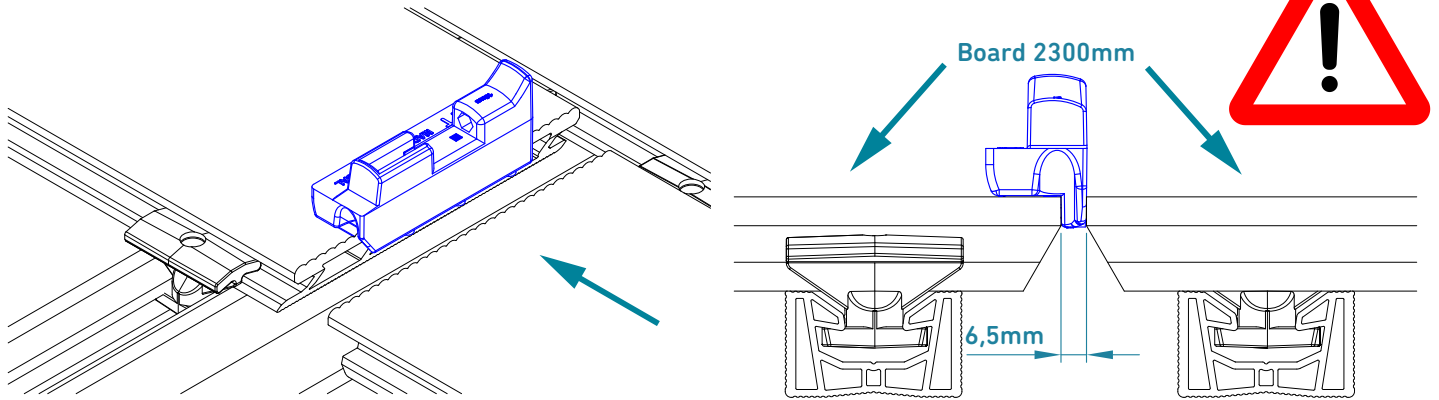


6.2 PLACING THE BOARD END CAP OF THE BOARD

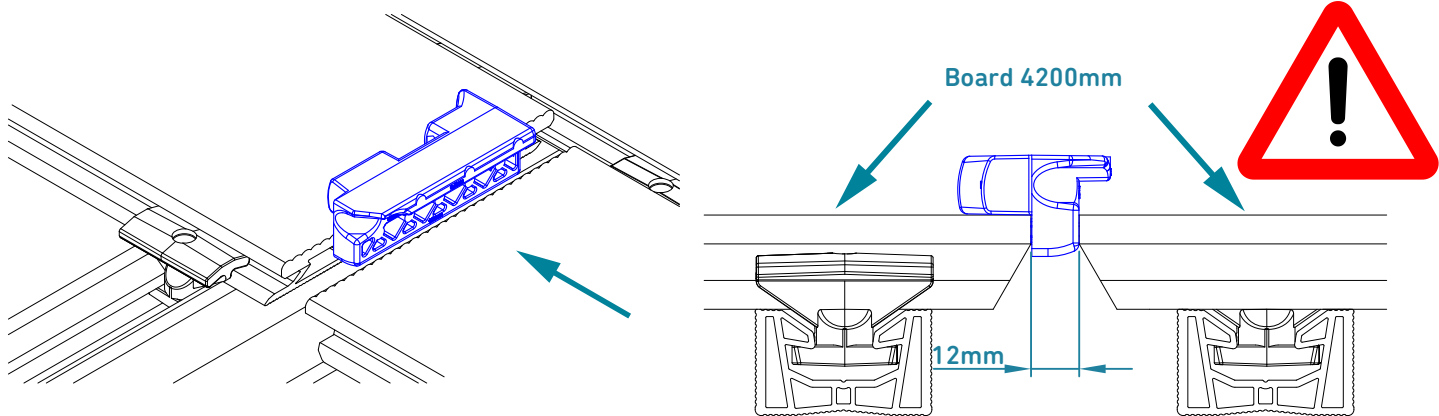


7. USING THE CTOOL TOOL

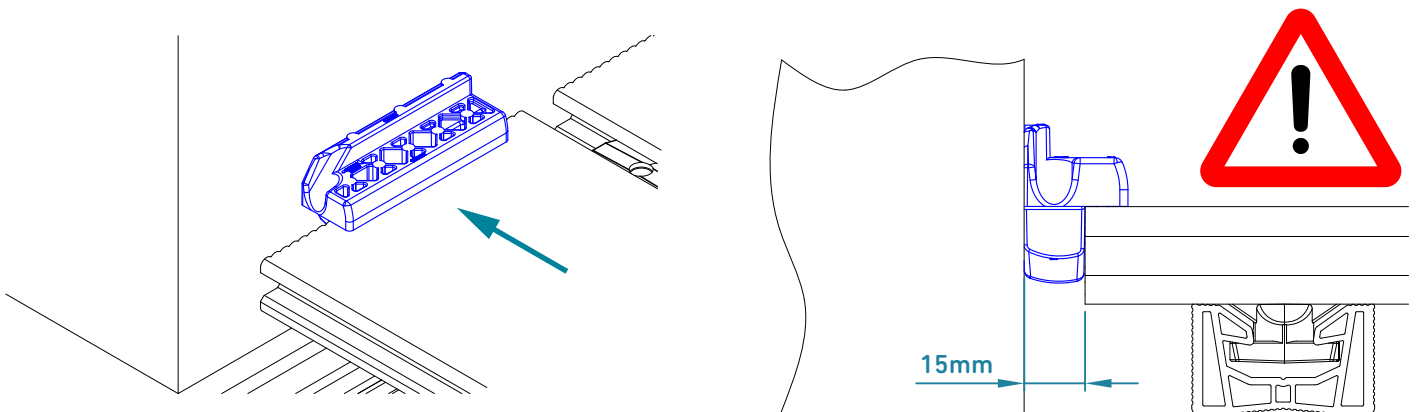
7.1 CLEARENCE OF THE BOARDS 2300



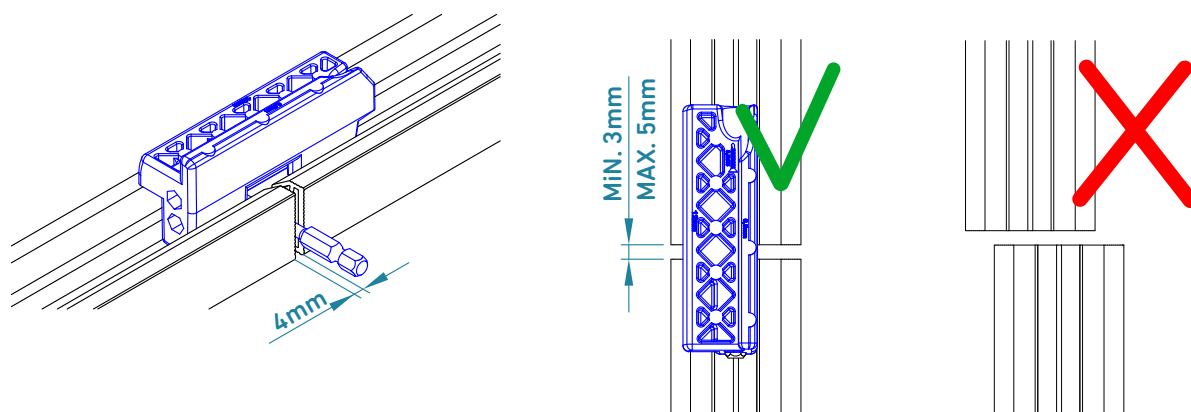
7.2 CLEARENCE OF THE BOARDS 4200



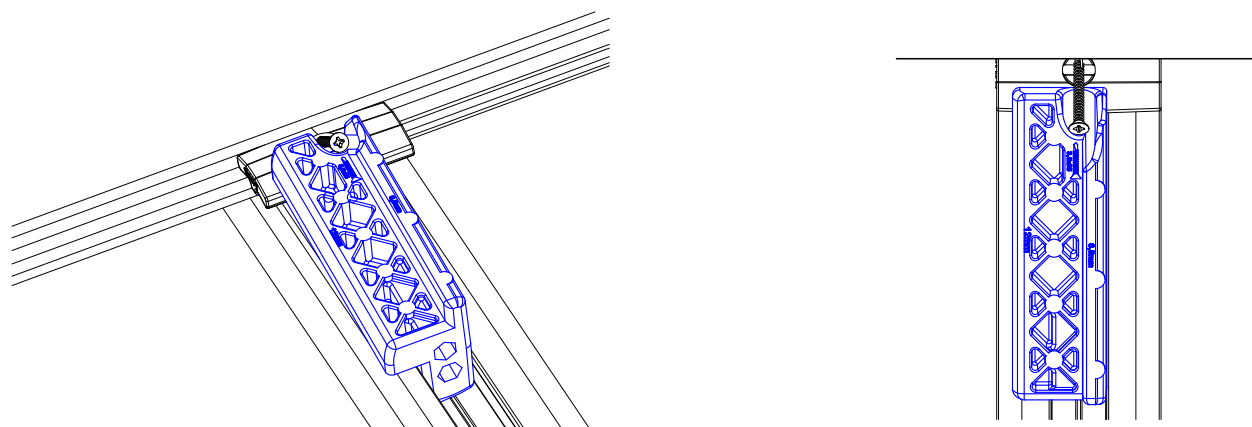
7.3 CLEARENCE FROM THE FIXED ELEMENTS



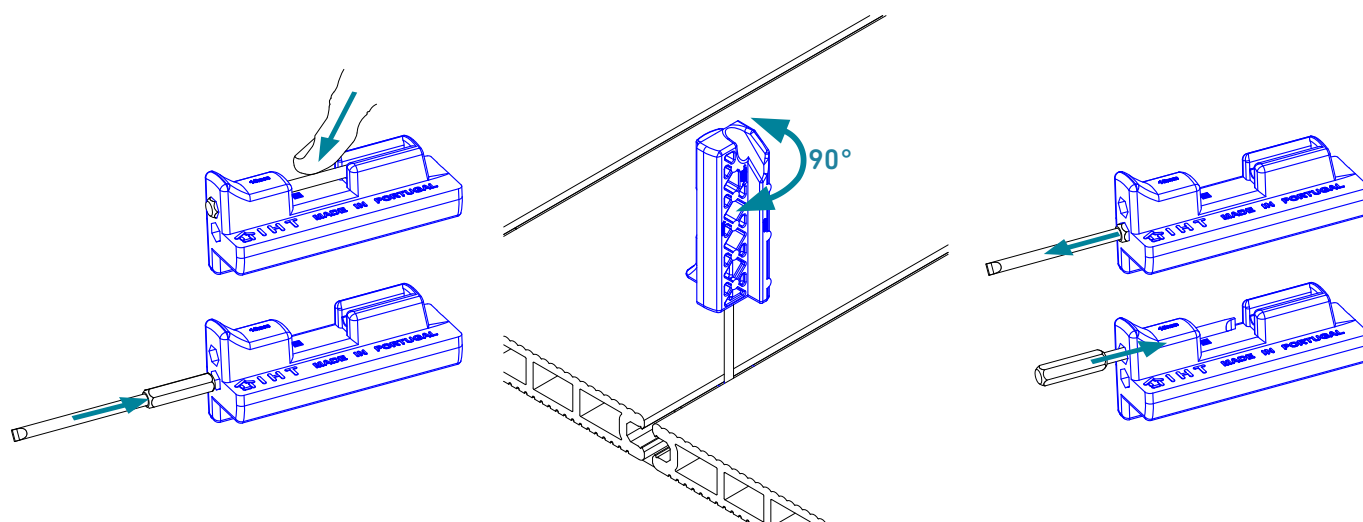
7.4 ALIGNING THE JOISTS



7.5 POSITIONING OF THE BOARD'S CENTRAL CLAMPING SCREW

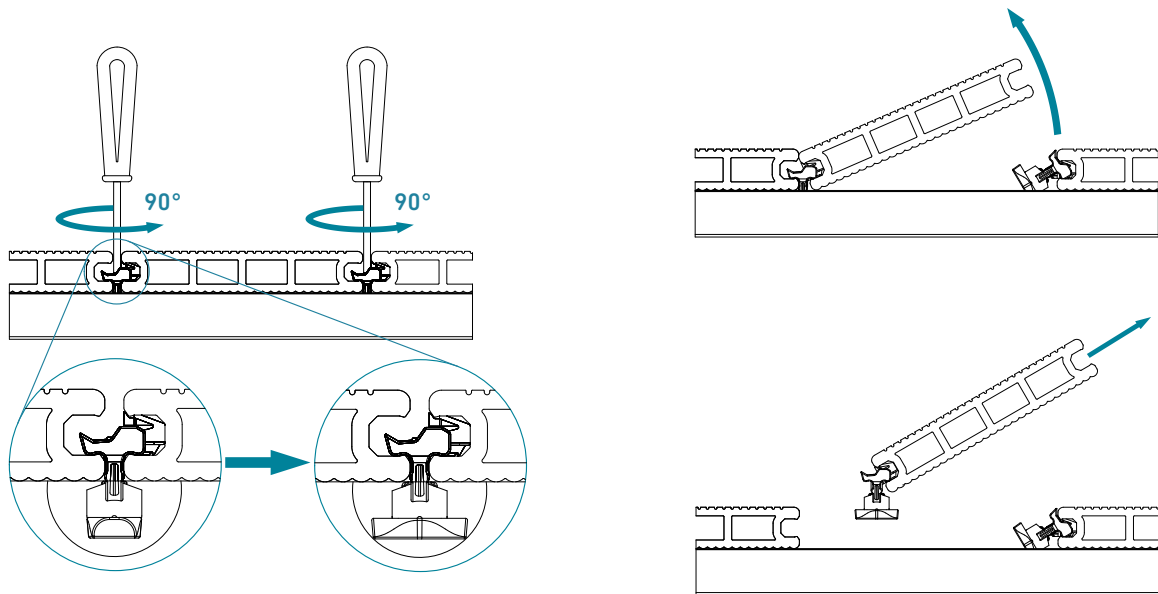


7.6 OPENING AND CLOSING KEY FOR THE QUICK-FIX PRO INTERMEDIATE CLIP

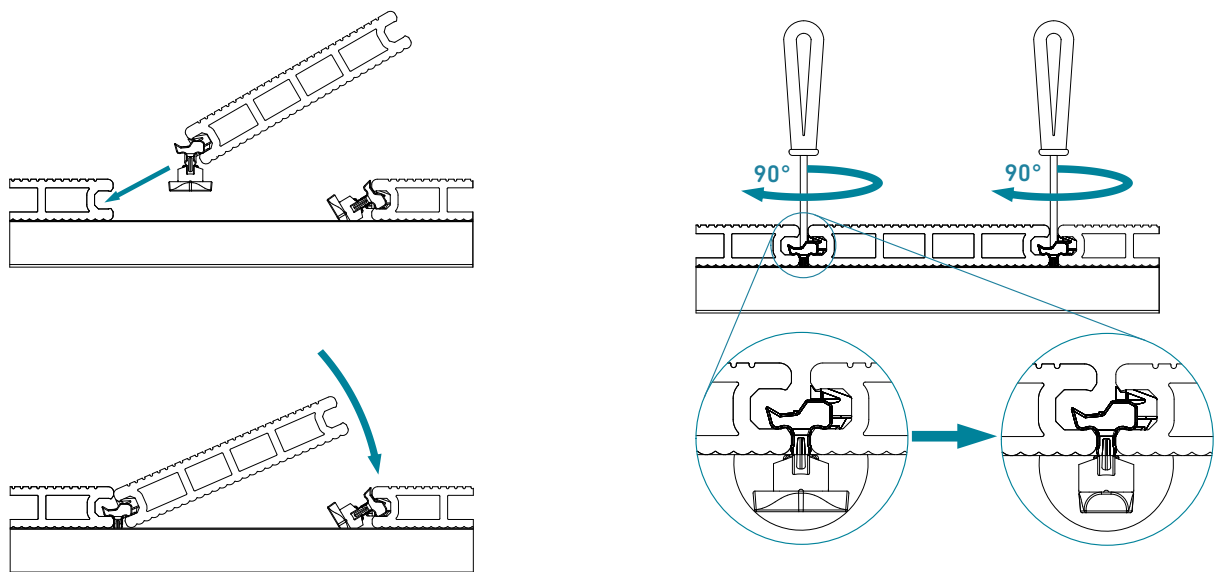


8. UNINSTALLING AND REINSTALLING BOARDS WITH THE QUICK-FIX PRO INTERMEDIATE CLIP

8.1 INDIVIDUAL OPENING OF THE BOARD



8.2 REINSTALLING THE OPEN BOARD





9. CDECK MAINTENANCE

9.1 INITIAL MAINTENANCE

During fitting it is common for a lot of dust to be produced, so we recommend the deck to be thoroughly cleaned with water, mild detergent and a soft brush. You can use a garden hose or a high pressure apparatus (at a minimum distance of 30 cm and a maximum pressure of 150 bar), always washing the boards in the direction of the grooves.

9.2 REGULAR MAINTENANCE

The composite CDECK is easy to maintain. However, it still needs regular cleaning.

As with any covering made of wood, synthetic materials, stone, etc., the CDECK may also show signs of moss, due to a set of external factors, particularly in extremely humid environments, with little exposure to sun and where there is a tendency for large amounts of dust to collect. Given this, it is recommended that the system is regularly cleaned to keep it looking good and to ensure that waste does not remain permanently. For best results, use a pressure machine and the indicated solution (at a distance of 30 cm and a maximum pressure of 150 bar). The jet must be applied along the length of the boards.

After installation, you should avoid moving heavy and/or sharp objects over the boards. If this happens, it is natural for scratches to appear. However, these will tend to disappear as the colour of the scratched areas stabilises.

For more persistent stains, caused by the fall of products onto the boards, act immediately so as to minimise the absorption of these products into the wooden fibres, by washing the boards with a chlorine solution (with a little bleach), and rubbing with a steel wool pad along the length of the boards. If you can not remove stains or stains through this process, you can brush the boards with a wire brush or sandpaper. Although this action will cause a colour difference in the brush area, this difference will disappear as the colour stabilises.

9.3 GENERAL ASPECTS

The CDECK is a semi-natural product, so that the variations in colour and texture are likely to appear over time. During the first months after outdoor fitting, the colour will gradually change until it stabilises. The boards will take on a final colour which is lighter and more natural than the original colour, due to the absorption of water by the wooden fibres. Once stabilised, colour and texture remain virtually unchanged.

Under certain conditions, static electricity may be formed. This is a natural phenomenon due to the fact that the CDECK includes thermoplastic. However, it will tend to disappear once the texture stabilises.